

ISOLATE, INC.

P.O. BOX 40794
HOUSTON, TX 77240

ISO-UVC/HEPA-1000HR

DATE:
07/24/04

ALL PROPRIETARY RIGHTS IN THE SUBJECT MATTER HEREOF ARE RESERVED, AND NO PERMISSION IS GRANTED TO REPRODUCE THIS PRINT IN WHOLE OR IN PART OR TO DISCLOSE ANY OF THE INFORMATION UPON IT TO OTHERS WITHOUT WRITTEN RELEASE BY ISOLATE, INC.

DRAWING NUMBER:
PHR-02

SCALE:
NONE

ENGINEER:
BWT

- ① INLET CONNECTION - 12"Ø
- ② REMOVABLE ACCESS PANEL (TOP OR SIDE)
- ③ ELECTRIC CONTROL BOX, WITH ON-OFF SWITCH AND 120/1/60
- ④ OUTLET CONNECTION - 12Ø
- ⑤ UVC LAMP (CENTERED IN FILTER)
- ⑥ HEPA FILTER
- ⑦ FILTER RETAINING BRACKET WITH THREADED RODS
- ⑧ DIRECT-DRIVE PLENUM FAN
- ⑨ PANEL BLOCK LUGS (TYP.)

ISOLATE, INC.

P.O. BOX 40794
HOUSTON, TX 77240

DATE:
07/24/04

ISO-UVC/HEPA-1000HR

ALL PROPRIETARY RIGHTS IN THE SUBJECT MATTER HEREOF ARE RESERVED, AND NO PERMISSION IS GRANTED TO REPRODUCE THIS PRINT IN WHOLE OR IN PART OR TO DISCLOSE ANY OF THE INFORMATION UPON IT TO OTHERS WITHOUT WRITTEN RELEASE BY ISOLATE, INC.

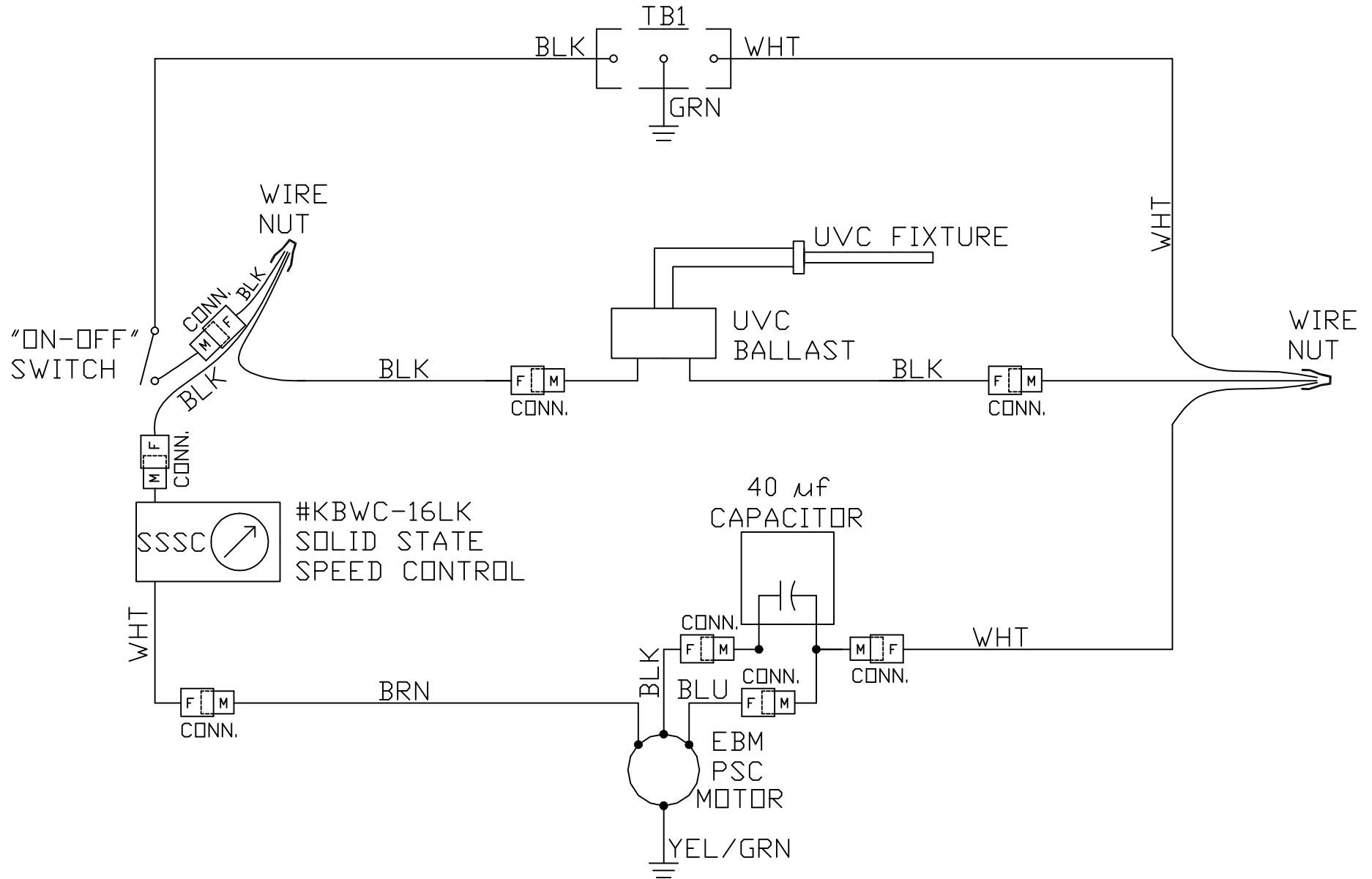
DRAWING NUMBER:

PHR-02A

SCALE:
NONE

ENGINEER:
BWT

120/1/60 POWER



ISOLATE, INC.

P.O. BOX 40794
HOUSTON, TX 77240

DATE:
10/09/06

ISO-UVC/HEPA-1000HR

ELECTRICAL DIAGRAM

DUCTED
SERIES

ALL PROPRIETARY RIGHTS IN THE SUBJECT MATTER HEREOF ARE RESERVED, AND NO PERMISSION IS GRANTED TO REPRODUCE THIS PRINT IN WHOLE OR IN PART OR TO DISCLOSE ANY OF THE INFORMATION UPON IT TO OTHERS WITHOUT WRITTEN RELEASE BY ISOLATE, INC.

DRAWING NUMBER:
ES-004R

SCALE:
NONE

ENGINEER:
BWT