

Isolate, Inc.

Mail Processing Unit



ISO[®] - Mail HEPA / UVC Capture Unit

Performance Data:

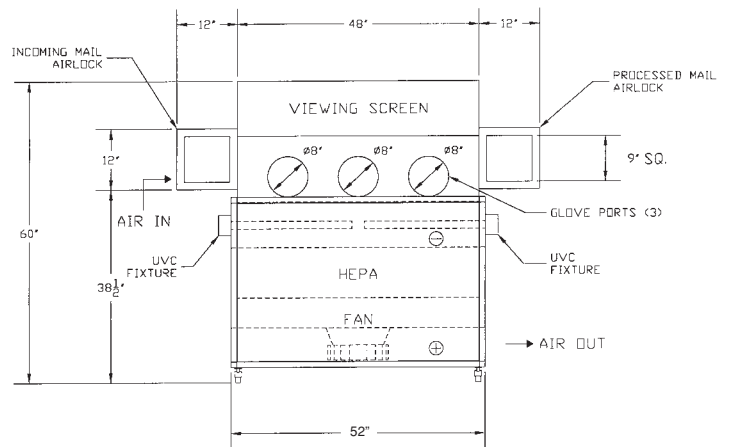
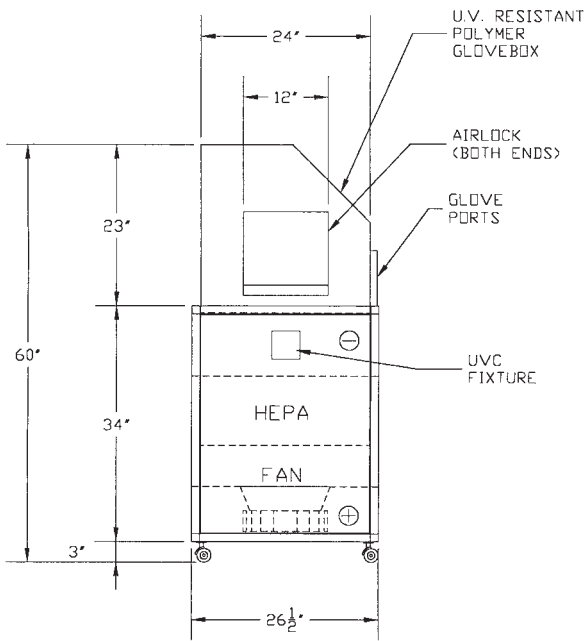
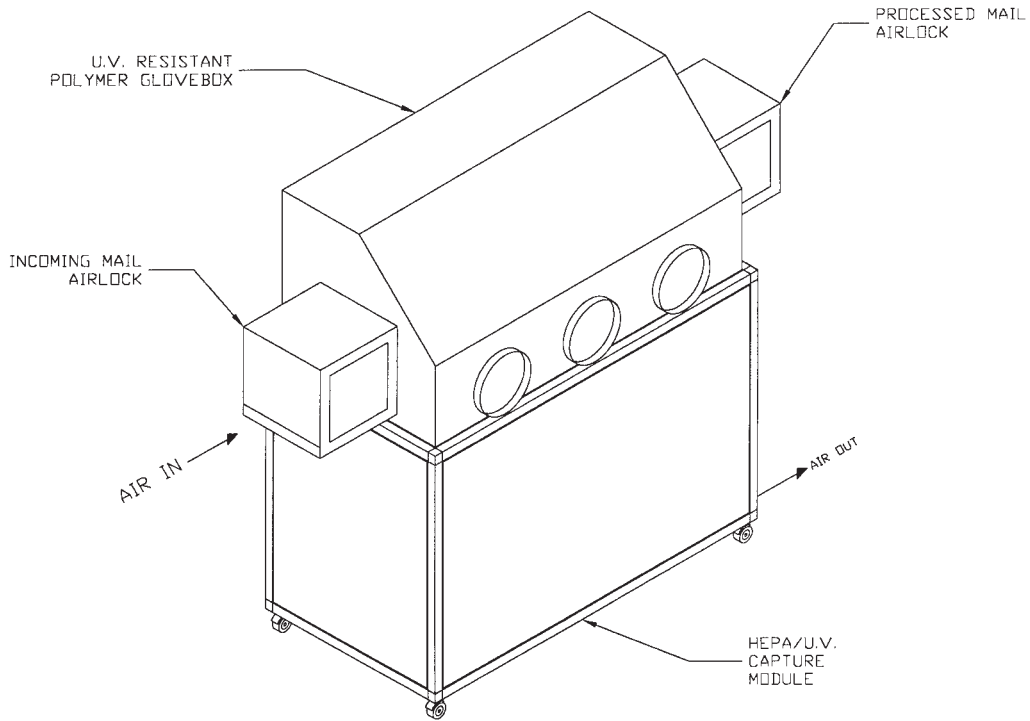
Airflow720 CFM

HEPA Filtration99.99% @ 0.3 Microns, Nominal 2' by 4" face dimension with a 70 mm pack depth

UVC FixturesHot Cathode Broadband UVC of 250-260 nm, (2) single ended, nominal 24" bulb length

Air Moving Fan.....250 watt, 120/1/60, motorized impeller style

Glove BoxUVC resistant 48" polymer with (3) neoprene gloves



ISOLATE, INC.

P.O. BOX 40794 HOUSTON, TX 77240 TEL 713-937-9393 FAX 713-937-9521

For More Information Call : 1-800-ISO UNIT

Internet Address: <http://www.isolate.com/>